

# ALPHA 10

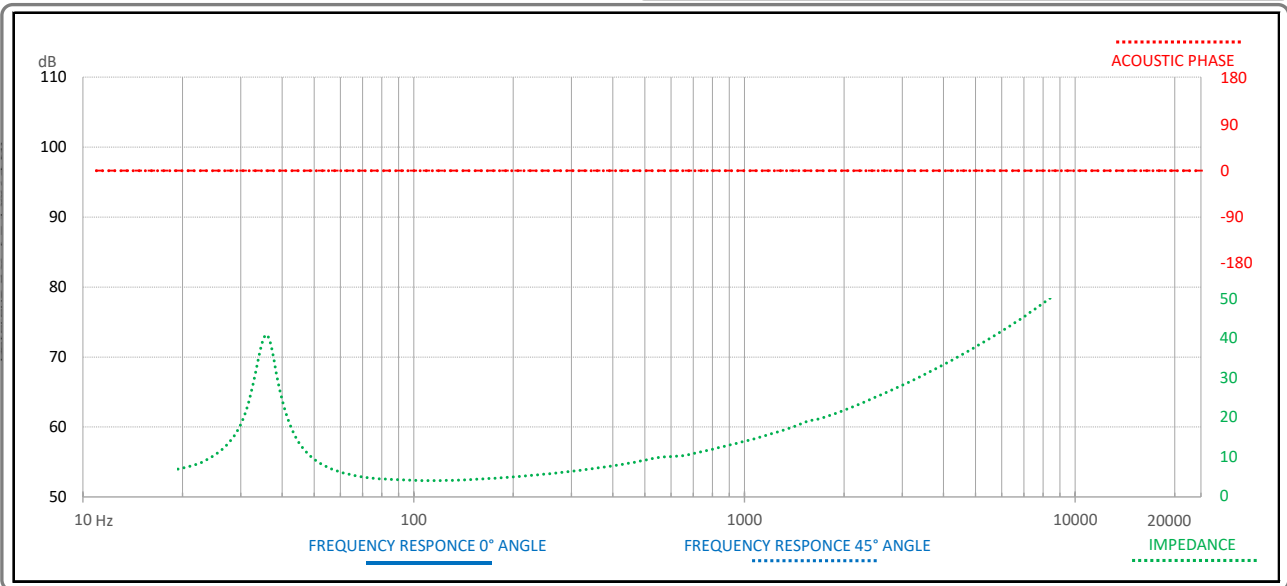
Loudspeaker data sheet

## Specifications

### Subwoofer

Impedance	4,0	Ω
Power handling	250/150	Watt/Wrms
Minimum amplifier power	80	Wrms
Recommended frequency area	Fs -100	Hz
SPL (2,83V/1m)	91,3	dB

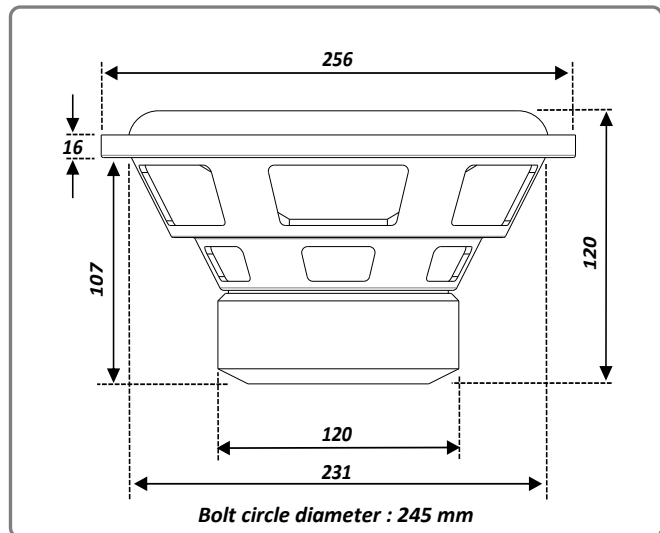
no picture available yet



## Parameters

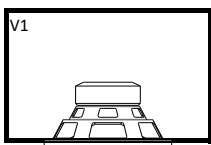
DC resistance	Rdc	3,3	Ω
Resonance frequency	fs	37	Hz
Mechanical quality	Qms	6,22	
Electrical quality	Qes	0,53	
Total quality	Qts	0,49	
Equivalent volume	VAS	38,06	Liter
Dynamically moving mass	Mms	87,8	g
Effective membrane area	Sd	356,33	cm <sup>2</sup>
Mechanical resistance	Rms	3,2	Kg/s
Mechanical compliance	Cms	0,213	mm/N
Electromagnetic force	BL	11,2	Tm
Sensitivity (1W/1m)	SPL	87,4	dB
EBP		69	
Voice coil diameter	VCD	50	mm
Maximum linear excursion	Xmax +/-	3,5	mm
Weight net		2,6	kg

## Dimensions

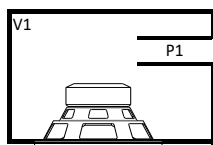


## Housing suggestions

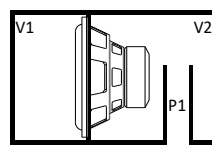
sealed  
V1: 25



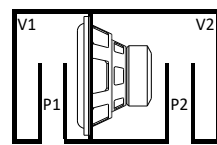
vented  
V1: 40 / P1: D 100 - L 200



bandpass (4th)  
V1: 30  
V2: 45 / P2: D 140 - L 150



bandpass (6th)  
-  
-



Volume (V) in liters, dimensions port (P) in mm (diameter (D) and length (L))

All data without guarantee. Data can vary. Check data before assembly and operation.