

HG 80RS

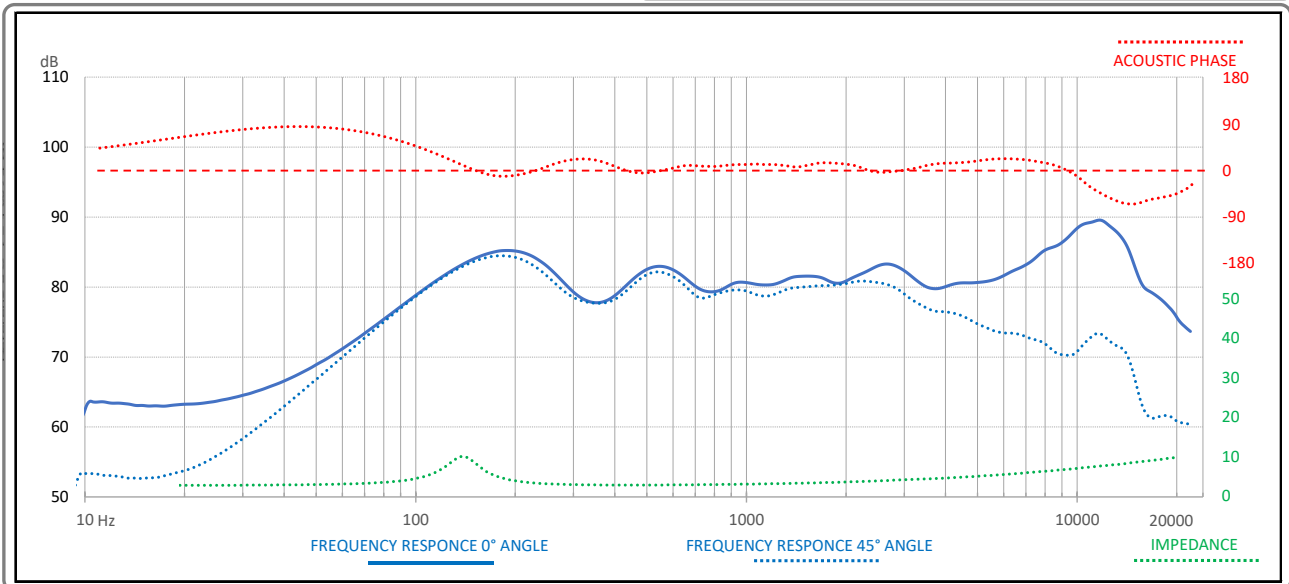
Loudspeaker data sheet

Specifications

Midrange

| | | |
|----------------------------|----------|-----------|
| Impedance | 3,0 | Ω |
| Power handling | 60/40 | Watt/Wrms |
| Minimum amplifier power | 10 | Wrms |
| Recommended frequency area | 250-6000 | Hz |
| SPL (2,83V/1m) | 87,9 | dB |

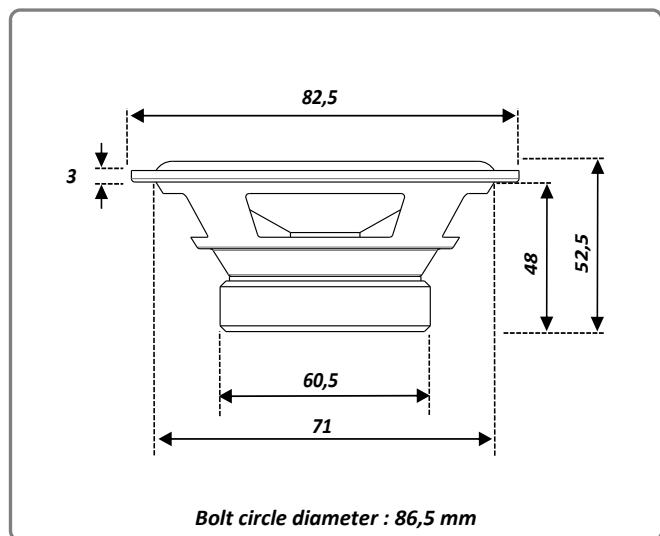
no picture available yet



Parameters

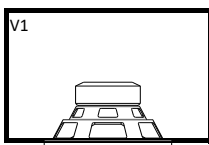
| | | | |
|--------------------------|----------|-------|-----------------|
| DC resistance | Rdc | 2,5 | Ω |
| Resonance frequency | fs | 141 | Hz |
| Mechanical quality | Qms | 3,92 | |
| Electrical quality | Qes | 1,28 | |
| Total quality | Qts | 0,97 | |
| Equivalent volume | VAS | 1 | Liter |
| Dynamically moving mass | Mms | 3,3 | g |
| Effective membrane area | Sd | 32,2 | cm ² |
| Mechanical resistance | Rms | 0,74 | Kg/s |
| Mechanical compliance | Cms | 0,387 | mm/N |
| Electromagnetic force | BL | 2,4 | Tm |
| Sensitivity (1W/1m) | SPL | 82,9 | dB |
| Voice coil diameter | VCD | 25 | mm |
| Maximum linear excursion | Xmax +/- | 1,25 | mm |
| Weight net | | 0,4 | kg |

Dimensions

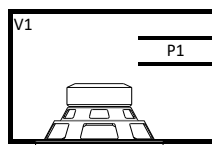


Housing suggestions

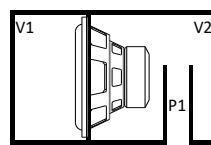
sealed



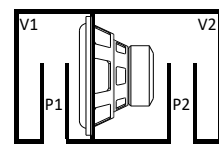
vented



bandpass (4th)



bandpass (6th)



Volume (V) in liters, dimensions port (P) in mm (diameter (D) and length (L))

All data without guarantee. Data can vary. Check data before assembly and operation.