

# GLADEN<sup>®</sup>

GERMAN TECHNOLOGY

## RS 15 FA

### Speaker Specifications

Power	$R_e$	<b>450 / 650</b>	RMS/Nom
DC resistance	$R_{dc}$	<b>4,0</b>	$\Omega$
Nominal impedance	$Z_N$	<b>4</b>	$\Omega$
Resonance frequency	$f_s$	<b>27,6</b>	HZ
Voice coil diameter		<b>2,5</b>	inch

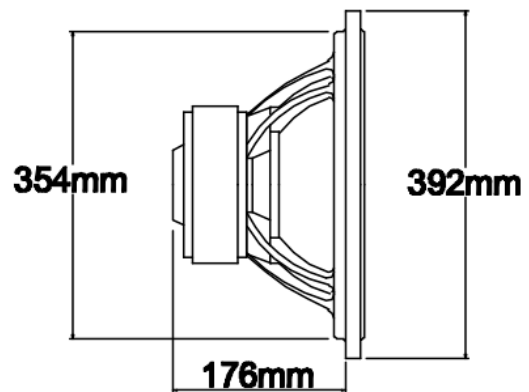
Mechanical Q factor	$Q_{ms}$	<b>5,92</b>
Electrical Q factor	$Q_{es}$	<b>0,60</b>
Total Q factor	$Q_{ts}$	<b>0,54</b>

Moving mass	$M_{ms}$	<b>237,5</b>	g
Effective piston area	$S_d$	<b>830</b>	cm <sup>2</sup>
Mechanical resistance	$R_{ms}$	<b>7,0</b>	Kg/s
Compliance	$C_{ms}$	<b>0,14</b>	mm/N
Force factor	$BL$	<b>16,6</b>	Tm
Equivalent air volume	$V_{as}$	<b>134,7</b>	dm <sup>3</sup>
SPL 2,83V/1m		<b>91,6</b>	dB



### Diameter

External diameter	<b>392 mm / 15,43 inch</b>
Installation diameter	<b>354 mm / 13,94 inch</b>
Installation depth	<b>176 mm / 6,93 inch</b>
Magnet diameter	<b>190 mm / 7,48 inch</b>

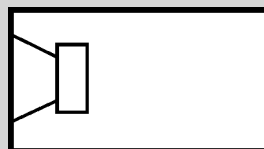


### Recommended Boxes (including Ports and Drivers)

#### Free Air

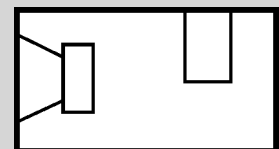


#### Sealed Box



V: 70 l

#### Vented Box



V: 100 l

d: 2 x 100 / 3,94 mm / inch  
l: 200 / 7,87 mm / inch