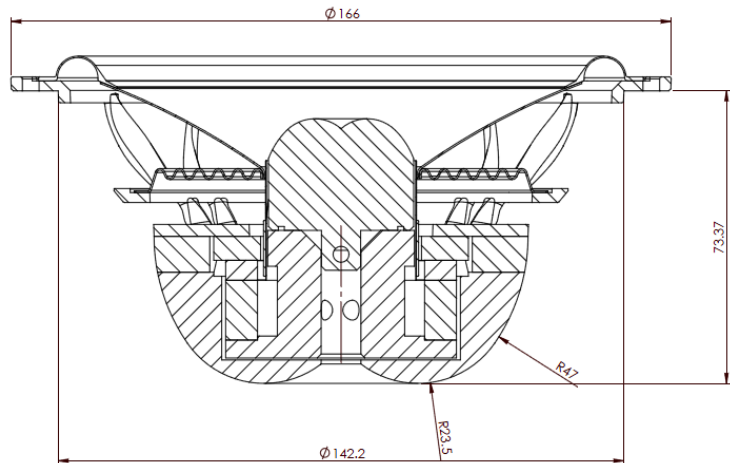


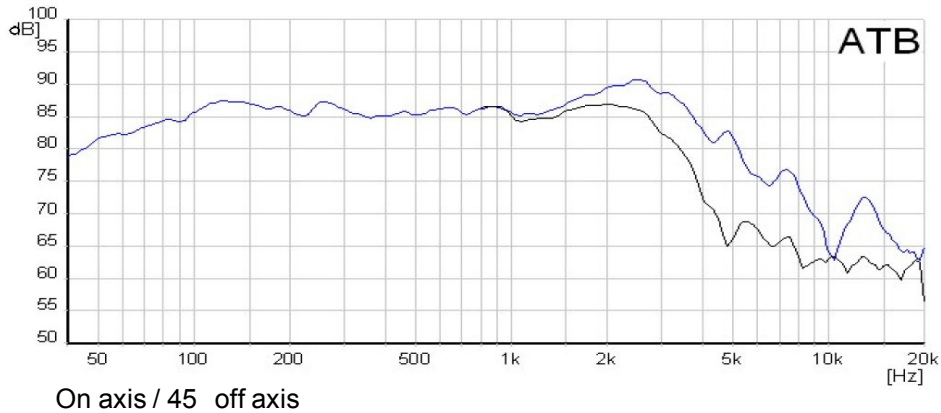
## AEROSPACE 165 PP

### Specifications:

Name		<b>HG-165AeroPP-3</b>
DC resistance	Rdc	<b>2,7 Ω</b>
Nominal impedance	ZN	<b>3 Ω</b>
Resonance frequency	fs	<b>49,5 HZ</b>
Voice coil diameter		<b>37 mm</b>
Mechanical Q factor	Qms	<b>7,3</b>
Electrical Q factor	Qes	<b>0,6</b>
Total Q factor	Qts	<b>0,55</b>
Moving mass Mms		<b>14 g</b>
Effective piston area	Sd	<b>135 cm<sup>2</sup></b>
Mechanical resistance	Rms	<b>0,63 Kg/s</b>
Compliance	Cms	<b>0,71mm/N</b>
Force factor	BL	<b>4,5 Tm</b>
Equivalent air volume	Vas	<b>18 dm<sup>3</sup></b>
Efficiency	η	<b>0,35 %</b>
SPL 2,83V/1m		<b>92,2 dB</b>



Cone: **GLADEN C7**  
 Spider: **Connex**  
 Surround: **SBR**  
 Coil former: **Fibreglass**  
 Basket: **Aluminum**  
 Phase Plug: **Aluminum**



## AEROSPACE 28

### Specifications:

Name		<b>HG-28Aero</b>
DC resistance	<i>R<sub>dc</sub></i>	<b>3,4 Ω</b>
Nominal impedance	<i>Z<sub>N</sub></i>	<b>4 Ω</b>
Resonance frequency	<i>f<sub>s</sub></i>	<b>720 HZ</b>
Voice coil diameter		<b>28 mm</b>
SPL 2,83V/1m		<b>93 dB</b>
Dome/Kalotte		<b>Fine cloth silk</b>
Cut-off Frequency / Trennfrequenz		<b>&gt; 2200 Hz 12 dB/Oct</b> <b>&gt; 1500 Hz 18 dB/Oct</b>

