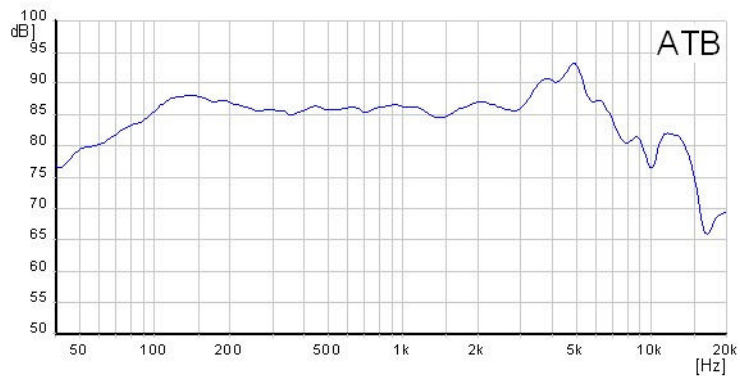


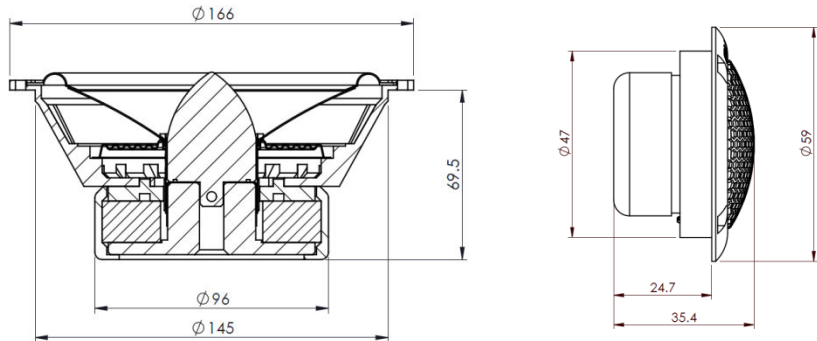
ZERO PRO 165.2 PP AKTIV

Midrange specifications:

Name		HG-165ZPPP-3
DC resistance	<i>R_{dc}</i>	2,5 Ω
Nominal impedance	<i>Z_N</i>	3 Ω
Resonance frequency	<i>f_s</i>	53,86 HZ
Voice coil diameter		37 mm
Mechanical Q factor	<i>Q_{ms}</i>	3,92
Electrical Q factor	<i>Q_{es}</i>	0,45
Total Q factor	<i>Q_{ts}</i>	0,40
Moving mass <i>M_{ms}</i>		14,22 g
Effective piston area	<i>S_d</i>	135 cm²
Mechanical resistance	<i>R_{ms}</i>	1,23 Kg/s
Compliance	<i>C_{ms}</i>	0,61 mm/N
Force factor	<i>BL</i>	5,17 Tm
Equivalent air volume	<i>V_{as}</i>	15,71 dm³
Efficiency	<i>η</i>	0,53 %
SPL 2,83V/1m		94,26 dB



Cone:	Paper
Spider:	Nomex
Surround:	Rubber
Coil former:	Aluminum
Basket:	Aluminum
Phase Plug:	Aluminum



Tweeter specifications:

Name		HG-28PV
DC resistance	<i>R_{dc}</i>	3,4 Ω
Nominal impedance	<i>Z_N</i>	4 Ω
Resonance frequency	<i>f_s</i>	800 HZ
Voice coil diameter		28 mm

