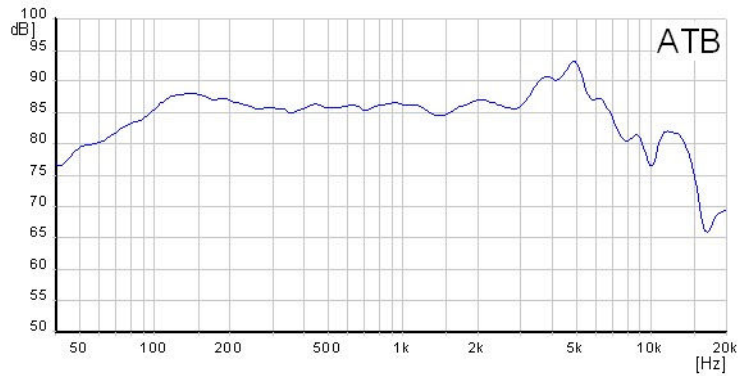


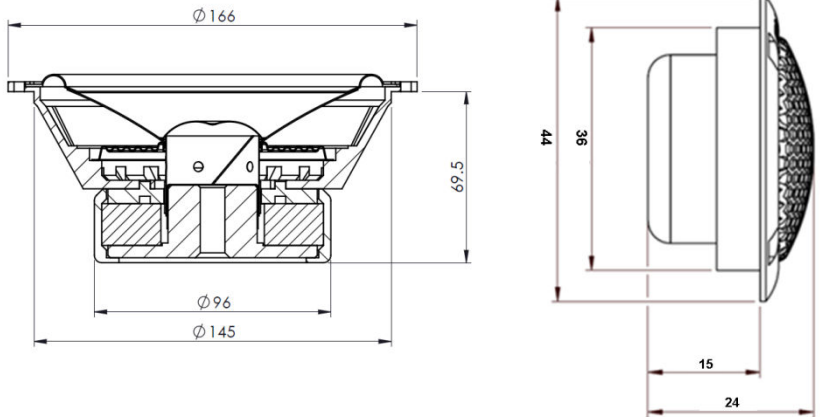
ZERO PRO 165.3 ACTIVE

Mid-Woofer specifications:

Name		HG-165ZPDC-3
DC resistance	Rdc	2,7 Ω
Nominal impedance	ZN	3 Ω
Resonance frequency	fs	52,59 HZ
Voice coil diameter		37 mm
Mechanical Q factor	Qms	3,78
Electrical Q factor	Qes	0,49
Total Q factor	Qts	0,44
Moving mass Mms		14,81 g
Effective piston area	Sd	135 cm²
Mechanical resistance	Rms	1,29 Kg/s
Compliance	Cms	0,62 mm/N
Force factor	BL	5,17 Tm
Equivalent air volume	Vas	15,83 dm³
Efficiency	η	0,45 %
SPL 2,83V/1m		93,25 dB



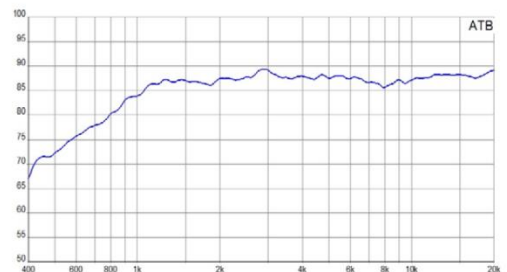
Cone: **Paper**
 Spider: **Nomex**
 Surround: **Rubber**
 Coil former: **Aluminum**
 Basket: **Aluminum**
 Dust cap: **Silk**



Tweeter specifications:

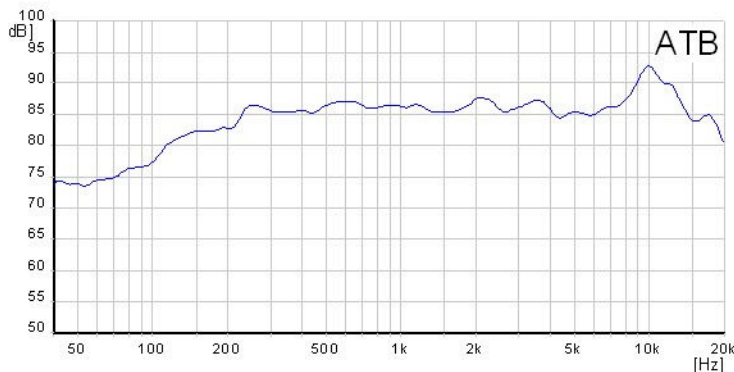
Name		HG-20PV
DC resistance	Rdc	3,4 Ω
Nominal impedance	ZN	4 Ω
Resonance frequency	fs	1100 HZ
Voice coil diameter		20 mm
Cut-off Frequency / Trennfrequenz		> 3500 Hz 12 dB/Oct > 2500 Hz 18 dB/Oct

Frequenzgang / frequency response [1/1/1/1/1]



Midrange specifications:

Name		HG-80ZPPP-3
DC resistance	<i>R_{dc}</i>	3,4 Ω
Nominal impedance	<i>Z_N</i>	4 Ω
Resonance frequency	<i>f_s</i>	113,2 Hz
Voice coil diameter		19 mm
Mechanical Q factor	<i>Q_{ms}</i>	3,78
Electrical Q factor	<i>Q_{es}</i>	0,39
Total Q factor	<i>Q_{ts}</i>	0,35
Moving mass <i>M_{ms}</i>		2,84 g
Effective piston area	<i>S_d</i>	33,2 cm²
Mechanical resistance	<i>R_{ms}</i>	0,54 Kg/s
Compliance	<i>C_{ms}</i>	0,70 mm/N
Force factor	<i>BL</i>	4,23 Tm
Equivalent air volume	<i>V_{as}</i>	1,08 dm³
Efficiency	<i>η</i>	0,39 %
SPL 2,83V/1m		91,64 dB
High-pass / Hochpass		> 350 Hz 18 dB/Oct > 400 Hz 12 dB/Oct



Cone:	Paper
Spider:	Nomex
Surround:	Rubber
Coil former:	Aluminum
Basket:	Steel
Phase Plug:	Aluminum

